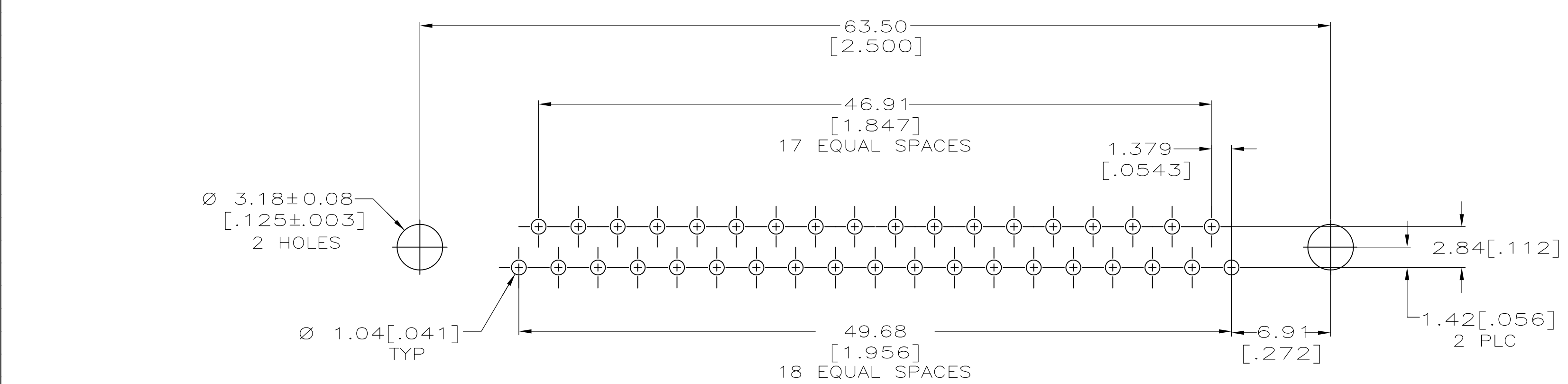
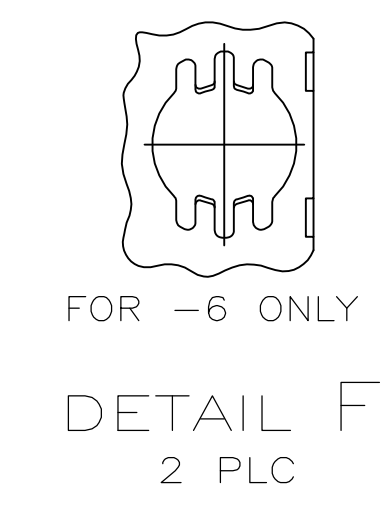
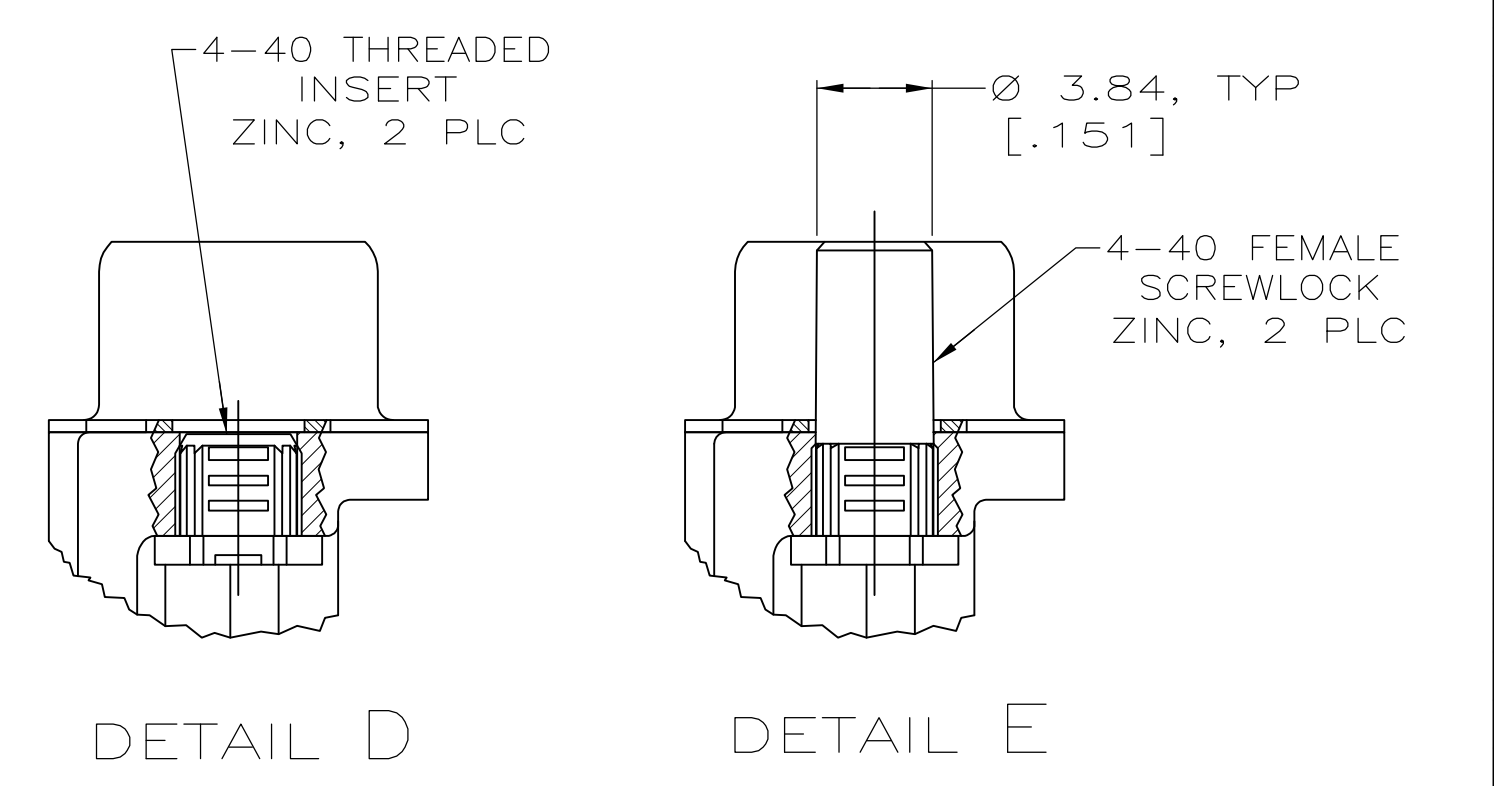
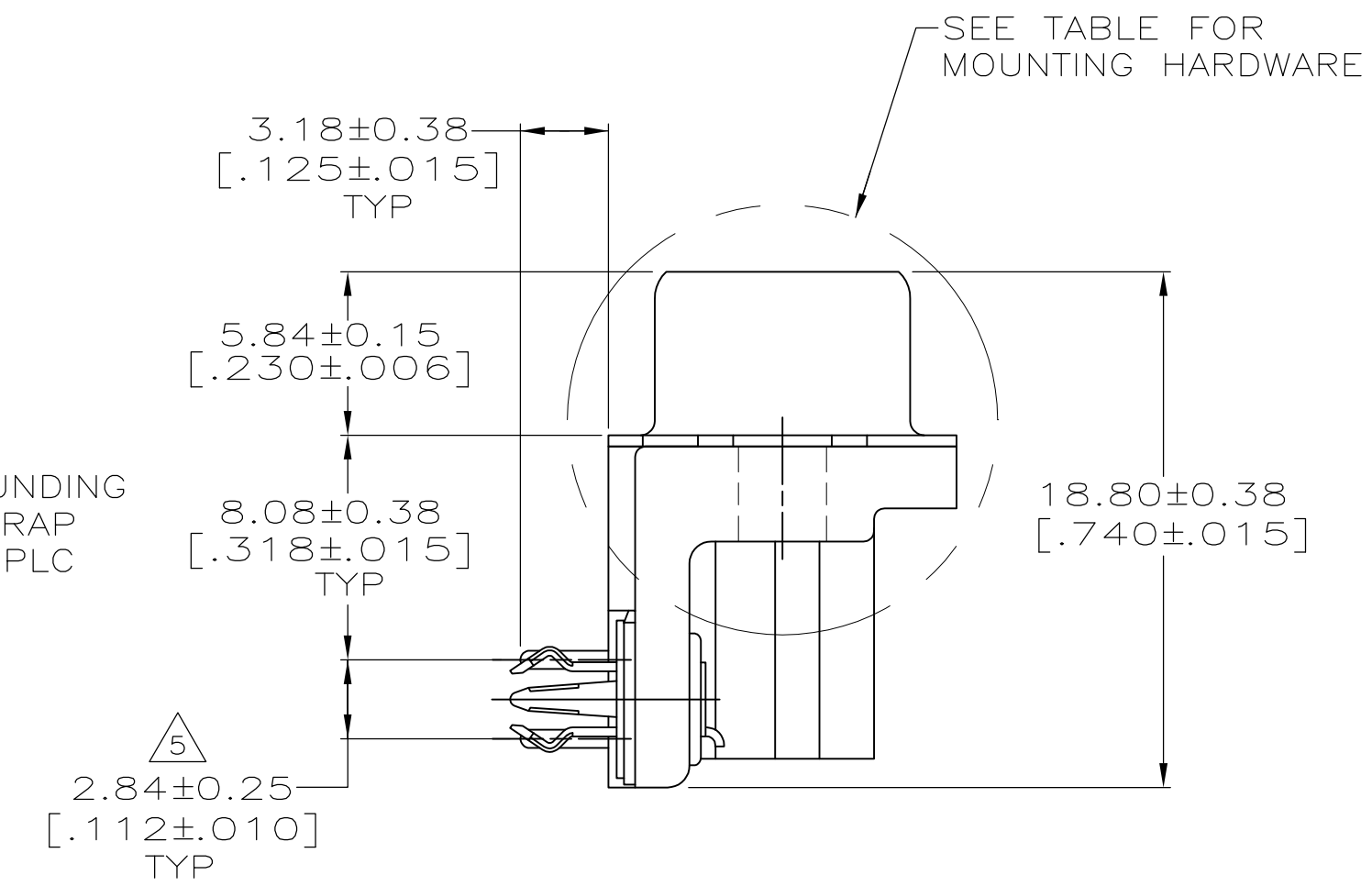
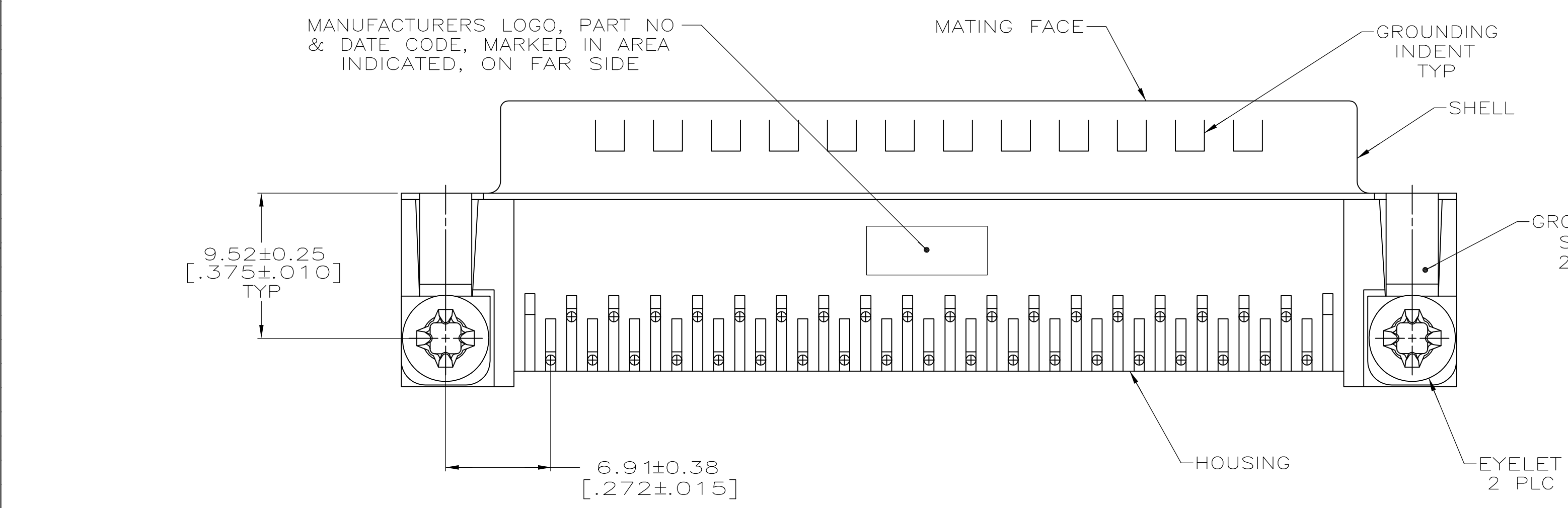


- 1 HOUSING: NYLON OR POLYESTER, FLAME RETARDANT, UL 94V-0 RATED, GLASS FILLED, COLOR BLACK.
CONTACTS: BRASS.
SHELL: CARBON STEEL.
EYELETS: BRASS.
BOARDLOCKS: COPPER ALLOY.
INSERTS: ZINC ALLOY.
SCREWLOCKS: ZINC ALLOY.
- 2 CONTACTS: SEE TABLE.
SHELL: 2.54µm [.000100] MIN TIN OVER 1.27µm [.000050] MIN COPPER.
EYELETS: 5.08µm [.000200] MIN TIN OVER COPPER FLASH.
BOARDLOCKS: 5.08µm [.000200] MIN TIN OVER 1.27µm [.000050] MIN NICKEL.
INSERTS: CLEAR CHROMATE.
SCREWLOCKS: CLEAR CHROMATE.
- 3 GOLD FLASH ON THE MATING SURFACES, 2.54µm [.000100] MIN TIN PLATE ON THE SOLDER END, 1.27µm [.000050] MIN NICKEL UNDERPLATE ON THE ENTIRE CONTACT.
- 4 0.76µm [.000030] MIN GOLD PLATE ON THE MATING SURFACES, 2.54µm [.000100] MIN TIN PLATE ON THE SOLDER END, 1.27µm [.000050] MIN NICKEL UNDERPLATE ON THE ENTIRE CONTACT -OR- GOLD FLASH OVER PALLADIUM-NICKEL PLATE, 0.76µm [.000030] MIN TOTAL ON THE MATING SURFACES, 2.54µm [.000100] MIN TIN PLATE ON THE SOLDER END, 1.27µm [.000050] MIN NICKEL UNDERPLATE ON THE ENTIRE CONTACT.
- 5 DIMENSION APPLIES FROM CENTER OF CONTACTS.



RECOMMENDED P.C. BOARD MOUNTING DIMENSIONS
P.C. BOARD THICKNESS: 1.57 [.062]

SEE DETAIL E	4	5747843-6
SEE DETAIL D	4	5747843-4
SEE DETAIL D	3	5747843-3
NONE	4	5747843-2
MOUNTING HARDWARE	CONTACT FINISH	PART NUMBER

THIS DRAWING IS A CONTROLLED DOCUMENT. DIMENSIONING AND TOLERANCING PER ASME Y14.5M-2009		DWG NO. G. ATTADIA - 04-13-05	DATE 04-13-05	 TE Connectivity
DIMENSIONS: mm [INCHES]		CHK S. BOLASH	DATE 04-13-05	
TOLERANCES UNLESS OTHERWISE SPECIFIED:		APVD M. WALMSLEY	NAME	PLUG ASSEMBLY, SIZE 4, 37 POSITION, RIGHT ANGLE, FRONT METAL SHELL, .318 SERIES, BOARDLOCKS, AMPLIMITE HD-20
0 PLC ± -		PRODUCT SPEC	108-40025	
1 PLC ± -		APPLICATION SPEC	114-40010	SIZE 114-40010 WEIGHT - SCALE 4:1 SHEET 1 OF 1 REV E
2 PLC ± -		FINISH	100779	
3 PLC ± 0.13 [.005]		RESTRICTED TO	5747843	
4 PLC ± -		CUSTOMER DRAWING		
ANGLES ± -				